

WARNING!

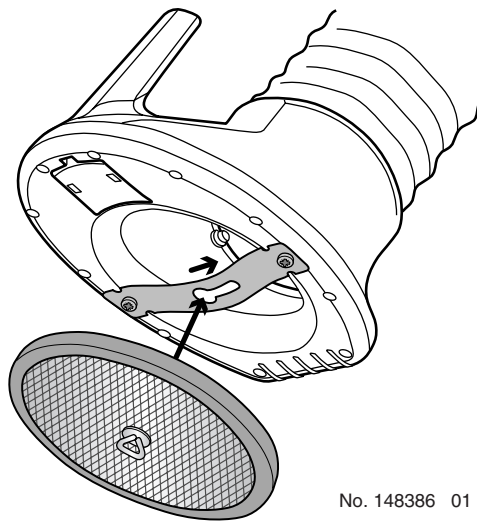


Risk of fire!

If the Extractor Arm, connected to the FilterBox, is used for evacuating fumes when welding on greasy or oily material and sparking or burning objects could enter the arm, a Spark Screen should be used. The Spark Screen is easily fitted in the hood of the Nederman Original or NEX MD Extractor Arm.

Spark Screen

Part no. 10551335



No. 148386 01